



Meat Slicers

*Models MS-IT-0300-G, 0330-G, 0350-G
Items 13641, 13642, 13643
Instruction Manual*



Revised - 10/01/2021



Toll Free: 1-800-465-0234
Fax: 905-607-0234
Email: service@omcan.com
www.omcan.com

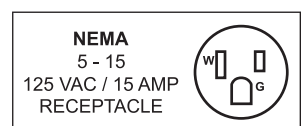


Table of Contents

Model MS-IT-0300-G / Model MS-IT0330-G / Model MS-IT-0350-G

Section	Page
General Information -----	3 - 4
Safety and Warranty -----	4 - 6
Technical Specifications -----	7
Installation -----	7
Operation -----	7
Maintenance -----	8 - 9
Parts Breakdown -----	10 - 26
Warranty Registration -----	27



General Information

Omcan Manufacturing and Distributing Company Inc., Food Machinery of America, Inc. dba Omcan and Omcan Inc. are not responsible for any harm or injury caused due to any person's improper or negligent use of this equipment. The product shall only be operated by someone over the age of 18, of sound mind, and not under the influence of any drugs or alcohol, who has been trained in the correct operation of this machine, and is wearing authorized, proper safety clothing. Any modification to the machine voids any warranty, and may cause harm to individuals using the machine or in the vicinity of the machine while in operation.

CHECK PACKAGE UPON ARRIVAL

Upon receipt of an Omcan shipment please inspect for external damage. If no damage is evident on the external packaging, open carton to ensure all ordered items are within the box, and there is no concealed damage to the machine. If the package has suffered rough handling, bumps or damage (visible or concealed), please note it on the bill of lading before accepting the delivery and contact Omcan within 24 hours, so we may initiate a claim with the carrier. A detailed report on the extent of the damage caused to the machine must be filled out within three days, from the delivery date shown in the shipping documents. Omcan has no recourse for damaged products that were shipped collect or third party.

Before operating any equipment, always read and familiarize yourself with all operation and safety instructions.

Omcan would like to thank you for purchasing this machine. It's of the utmost importance to save these instructions for future reference. Also save the original box and packaging for shipping the equipment if servicing or returning of the machine is required.

Omcan Fabrication et distribution Compañie Limité et Food Machinery d'Amérique, dba Omcan et Omcan Inc. ne sont pas responsables de tout dommage ou blessure causé du fait que toute personne ait utilisé cet équipement de façon irrégulière. Le produit ne doit être exploité que par quelqu'un de plus de 18 ans, saine d'esprit, et pas sous l'influence d'une drogue ou d'alcool, qui a été formé pour utiliser cette machine correctement, et est vêtu de vêtements de sécurité approprié. Toute modification de la machine annule toute garantie, et peut causer un préjudice à des personnes utilisant la machine ou des personnes à proximité de la machine pendant son fonctionnement.

VÉRIFIEZ LE COLIS DÈS RÉCEPTION

Dès réception d'une expédition d'Omcan veuillez inspecter pour dommages externes. Si aucun dommage n'est visible sur l'emballage externe, ouvrez le carton afin de s'assurer que tous les éléments commandés sont dans la boîte, et il n'y a aucun dommage dissimulé à la machine. Si le colis n'a subi aucune mauvaises manipulations, de bosses ou de dommages (visible ou cachée), notez-le sur le bond de livraison avant d'accepter la livraison et contactez Omcan dans les 24 heures qui suivent, pour que nous puissions engager une réclamation auprès du transporteur. Un rapport détaillé sur l'étendue des dommages causés à la machine doit être rempli dans un délai de trois jours, à compter de la date de livraison indiquée dans les documents d'expédition. Omcan n'a aucun droit de recours pour les produits endommagés qui ont été expédiés ou cueilli par un tiers transporteur.

General Information

Avant d'utiliser n'importe quel équipement, toujours lire et vous familiariser avec toutes les opérations et les consignes de sécurité.

Omcan voudrais vous remercier d'avoir choisi cette machine. Il est primordial de conserver ces instructions pour une référence ultérieure. Également conservez la boîte originale et l'emballage pour l'expédition de l'équipement si l'entretien ou le retour de la machine est nécessaire.

Omcan Empresa De Fabricacion Y Distribucion Inc. Y Maquinaria De Alimentos De America, Inc. dba Omcan y Omcan Inc. no son responsables de ningun daño o perjuicio causado por cualquier persona inadecuada o el uso descuidado de este equipo. El producto solo podra ser operado por una persona mayor de 18 años, en su sano juicio y no bajo alguna influencia de droga o alcohol, y que este ha sido entrenado en el correcto funcionamiento de esta máquina, y ésta usando ropa apropiada y autorizada. Cualquier modificación a la máquina anula la garantía y puede causar daños a las personas usando la máquina mientras esta en el funcionamiento.

REVISE EL PAQUETE A SU LLEGADA

Tras la recepcion de un envio Omcan favor inspeccionar daños externos. Si no hay daños evidentes en el empaque exterior, Habra el carton para asegurarse que todos los articulos solicitados estén dentro de la caja y no encuentre daños ocultos en la máquina. Si el paquete ha sufrido un manejo de poco cuidado, golpes o daños (visible o oculto) por favor anote en la factura antes de aceptar la entrega y contacte Omcan dentro de las 24 horas, de modo que podamos iniciar una reclamación con la compañía. Un informe detallado sobre los daños causados a la máquina debe ser llenado en el plazo de tres días, desde la fecha de entrega que se muestra en los documentos de envío. Omcan no tiene ningun recurso por productos dañados que se enviaron a recoger por terceros.

Antes de utilizar cualquier equipo, siempre lea y familiarizarse con todas las instrucciones de funcionamiento y seguridad.

Omcan le gustaría darle las gracias por la compra de esta máquina. Es de la mayor importancia para salvar estas instrucciones para futuras consultas. Además, guarda la caja original y el embalaje para el envío del equipo si servicio técnico o devolución de la máquina que se requiere.

Safety and Warranty

SAFETY DEVICES INCORPORATED IN THIS SLICER MUST BE IN THEIR CORRECT OPERATING POSITIONS ANYTIME THE SLICER IS IN USE.

The blade cover ⑥ must be in position over the knife and secured by tightening the screw ⑦. The meat pusher ④ must be used when slicing. To protect your hands from the blade.

When the slicer is not running, the slicer thickness control ② must be set on zero (by turning clockwise) to

Safety and Warranty

prevent the edge of the blade from being exposed. Always **UNPLUG** the power cord before cleaning or moving the slicer.

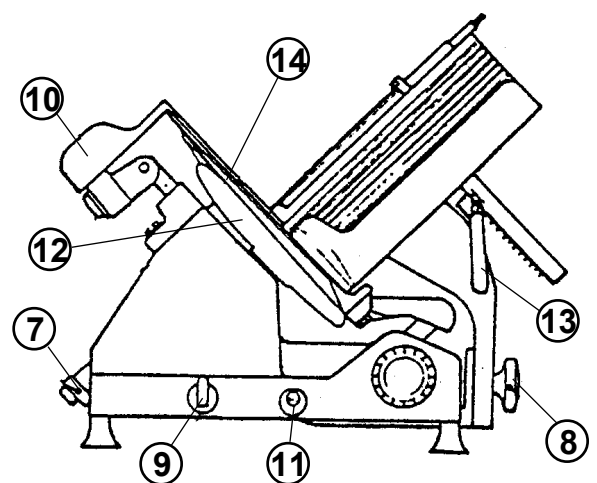
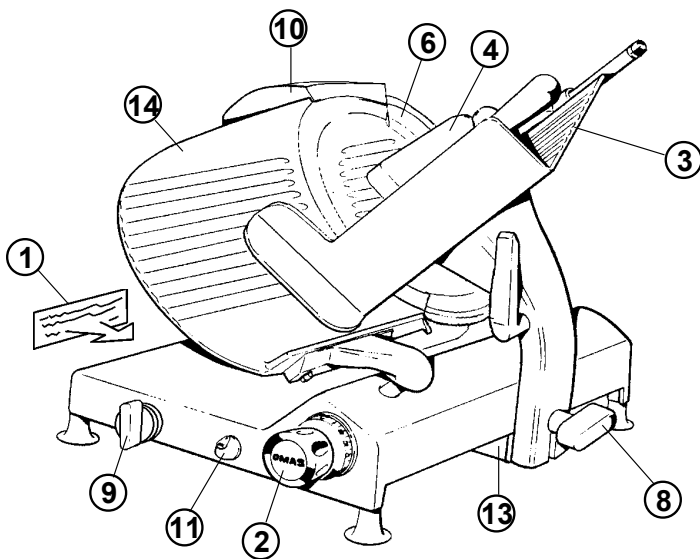
SLICING

Pull the **product holder** ③ toward you until it stops and place the product to be sliced on the product holder tray. Set the meat pusher against the product and switch on the slicer by pressing the **on-off switch** ⑨. Adjust the slice thickness by turning the slice thickness control. The numbers on the slice thickness control do not indicate actual measurements but may be used for reference to duplicate slice thickness. Using either the **carriage handle** ⑬ or the **meat pusher** ④ push the **product holder** ③ back and forth to slice. Always switch-off the slicer and turn the slice thickness control clockwise to zero when not slicing.

CLEANING

This machine must be thoroughly cleaned after each day's operation or anytime it will not be used for an extended period of time. **WARNING: UNPLUG MACHINE POWER CORD AND TURN THE INDEX KNOB FULLY CLOCKWISE BEFORE CLEANING THE SLICER.** Turn the slice deflector ⑫ for easy cleaning back of the blade. The product holder can be removed for an easy cleaning by rotating its handle counterclockwise ⑧. Using a mild soap and hot water solution and a clean cloth, wipe all surfaces of the slicer. Thoroughly rinse it with another clean cloth and fresh water. Remove the blade cover by removing the hand knob ⑦.

WARNING: THE SLICER BLADE IS VERY SHARP USE EXTREME CAUTION WHEN WORKING NEAR THE BLADE. CAREFULLY wash both sides of the blade with the slice thickness control turned fully clockwise. Wash the blade by wiping outward from the center. **ALWAYS** rinse the blade thoroughly using fresh water and a clean cloth. Never use steel pads to clean the blade. Wash and thoroughly rinse the removed components prior to reassembling them. **DO NOT** wash any slicer components in a dishwasher.



Safety and Warranty

RESIDENTIAL USERS: Vendor assumes no liability for parts or labor coverage for component failure or other damages resulting from installation in non-commercial or residential applications. The right is reserved to deny shipment for residential usage; if this occurs, you will be notified as soon as possible.

1 YEAR PARTS AND LABOUR BENCH WARRANTY

Within the warranty period, contact Omcan Inc. at 1-800-465-0234 to schedule an Omcan authorized service technician to repair the equipment locally.

Unauthorized maintenance will void the warranty. Warranty covers electrical and part failures, not improper use.

Please see <https://omcan.com/disclaimer> for complete info.

WARNING:

The packaging components are classified as normal solid urban waste and can therefore be disposed of without difficulty.

In any case, for suitable recycling, we suggest disposing of the products separately (differentiated waste) according to the current norms.

DO NOT DISCARD ANY PACKAGING MATERIALS IN THE ENVIRONMENT!



Technical Specifications

Model	MS-IT-0300-G	MS-IT-0330-G	MS-IT-0350-G
Blade Size	12" / 300mm	13" / 330mm	14" / 350mm
Power	0.35 HP		
RPM	250		
Cutting Size	5.9" x 9.8" / 150 x 249mm	6.5" x 10.6" / 165 x 270mm	7.3" x 11.4" / 185 x 290mm
Cutting Thickness	0" - 0.6" / 0 - 14mm		
Electrical	110V / 60Hz / 1		
Dimensions	28.3" x 22.4" x 20" 720 x 570 x 508mm	28.8" x 24" x 20" 730 x 610 x 508mm	30" x 24.8" x 20" 762 x 630 x 508mm
Weight	95 lbs. / 43.1 kgs.	99 lbs. / 44.9 kgs.	100 lbs. / 45.4 kgs.
Packaging Dimensions	33" x 28" x 27" 838 x 711 x 686mm	33" x 28" x 27" 838 x 711 x 686mm	33" x 28" x 27" 838 x 711 x 686mm
Packaging Weight	97 lbs. / 44 kgs.	101 lbs. / 45.8 kgs.	102 lbs. / 46.3 kgs.
Item Number	13641	13642	13643

Installation

UNPACKING

Immediately after unpacking the slicer, check it for possible shipping damage. If this machine is found to be damaged after unpacking, save the packing material and contact the carrier within 15 days of delivery.

Prior to installation, test the electrical service to assure that it agrees with the specifications on the machine data plate ①.

Operation

ELECTRICAL

Warning: THIS MACHINE IS PROVIDED WITH A PLUG CONNECTED TO PROPERLY GROUNDING PLUG, GROUNDED OUTLET. IF THE RECEPTACLE IS NOT THE PROPER GROUNDING TYPE, CONTACT AN ELECTRICIAN.

Maintenance

CLEANING

This machine must be thoroughly cleaned and sanitized after installation and before being put into service.

ATTENTION: Use protection gloves

BLADE SHARPENING

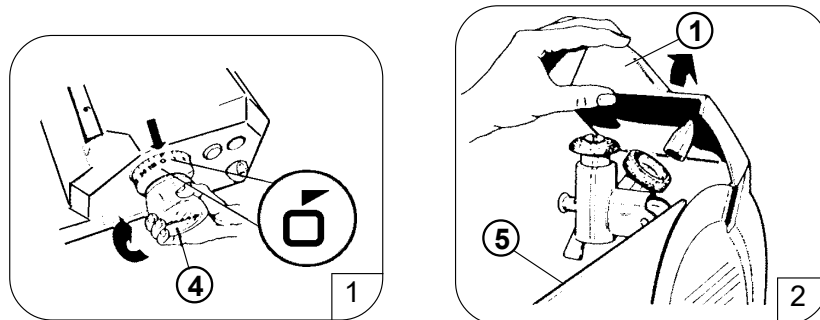
Your slicer blade will provide long service in normal deli, food store, or commercial kitchen use. However, in high volume applications where it is a practice to sharpen the blade frequently or even daily, the blade will be expended in a shorter time.

Before using sharpener, be sure the front and back side of the knife edge is clean and free of grease. The sharpen knife:

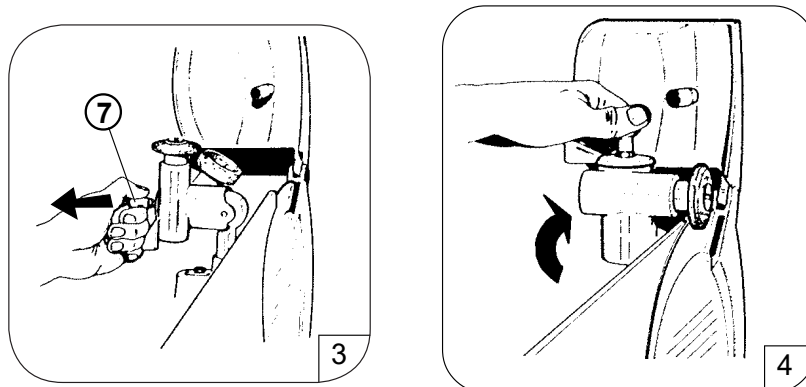
a) be sure that the slicer has been switched off

b) rotate the slice thickness control (item ④) into "O" position, so that the thickness plate (item ⑤) protects the knife fig. 2

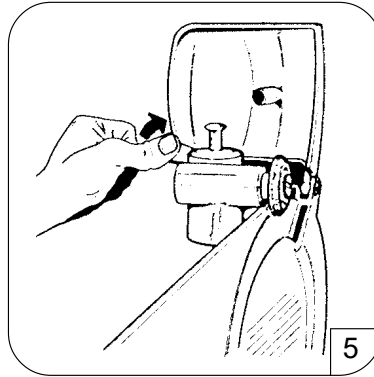
Lift up the sharpener cover (item ①) fig. 2



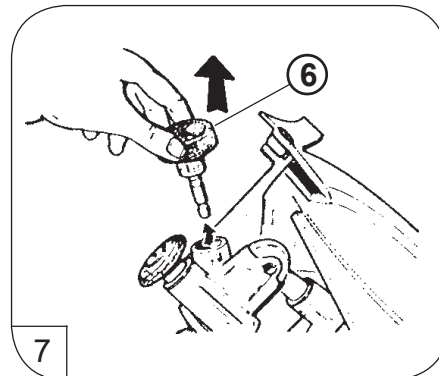
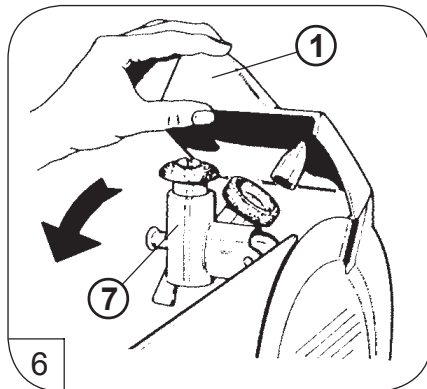
Disengage the pin (item ⑦) and rotate the sharpener (item ③) fig. 3. So that the sharpener goes into its sharpening position fig. 4.



To sharpen, first turning the switch in on position, so that the knife turns, the slowly rotate the lever which lets both stones go in contact with the knife; sharpening and trimming are made in same time fig. 5



Replace the sharpener to normal horizontal position, by lifting the pin (item ⑦) and close the cover fig. 6. The grinding stone (item ⑥), fitted on its pin, can be easily removed, by just drawing it fig. 7. To get a nice sharpening, the grinding stone must be clean and free of grease. The sharpening time depends on the wear of the knife. To get a good result the time needed is 10 to 15 seconds. A longer sharpening reduce the duration of the knife and gives no advantage. Wipe the slicer with a clean damp cloth to remove any grinding particles.



LUBRICATION

The rod on which the product holder slides, which is underneath the slicer, should be lubricated weekly with several drops of oil. Stop the carriage at the end of the stroke nearest the operator and pour the lubricant into the special oiler. **DO NOT** use vegetable oil. Occasionally, the slice thickness plate slide rod should be coated lightly with lubricant. Turn the slice thickness control fully counterclockwise when lubricating this slide rod and then turn it fully clockwise when finished. **DO NOT** lubricate the rod on which the last slice device slides. It must be kept clean but not lubricated. The motor has sealed bearings and requires no lubrication maintenance.

WEAR ADJUSTMENT

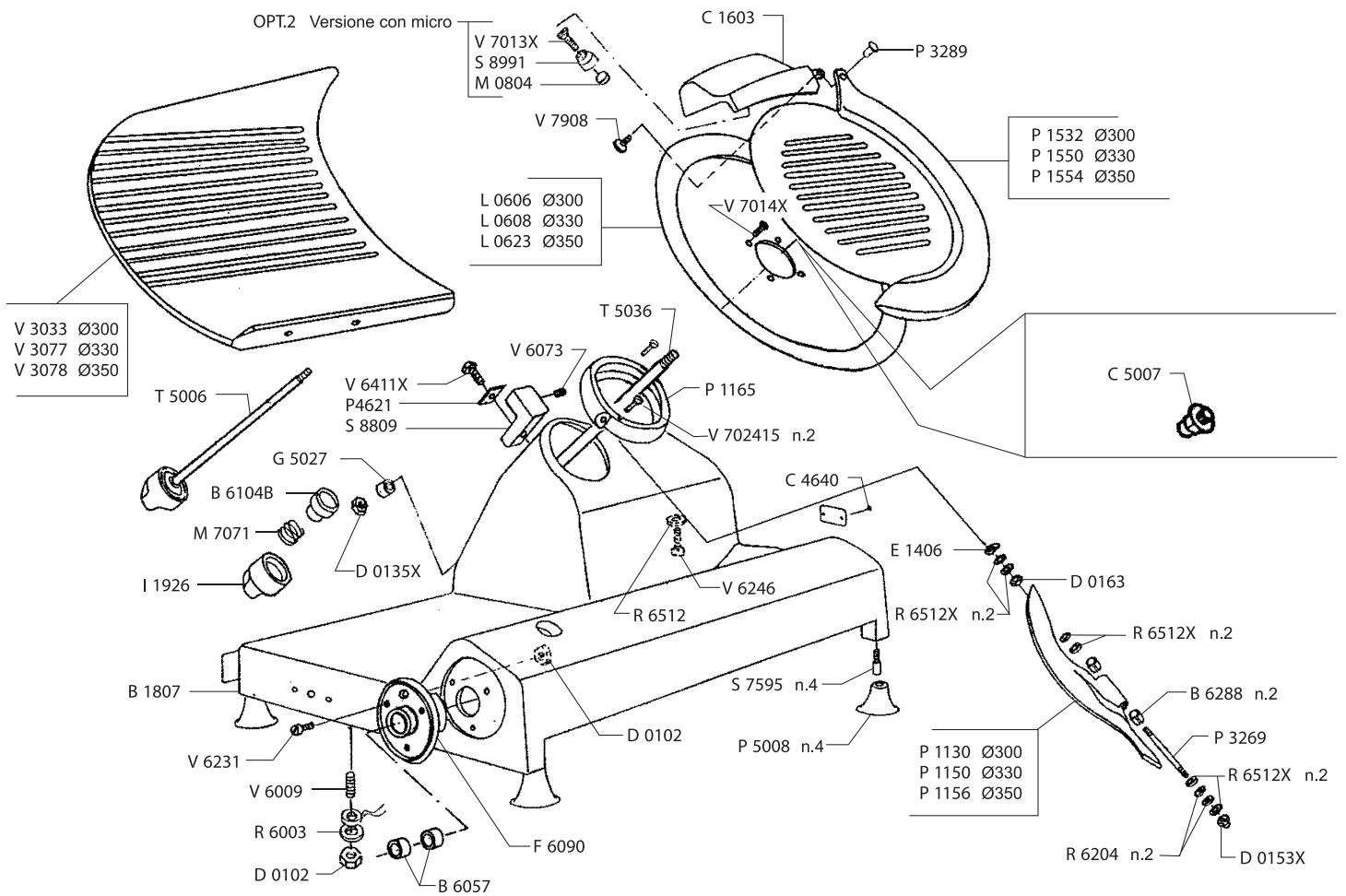
After several years of operation and many sharpening of the blade it may become necessary to have the slice thickness plate ⑭ adjusted closer to the blade.

Parts Breakdown

Model MS-IT-0300-G 13641

Model MS-IT-0330-G 13642

Model MS-IT-0350-G 13643

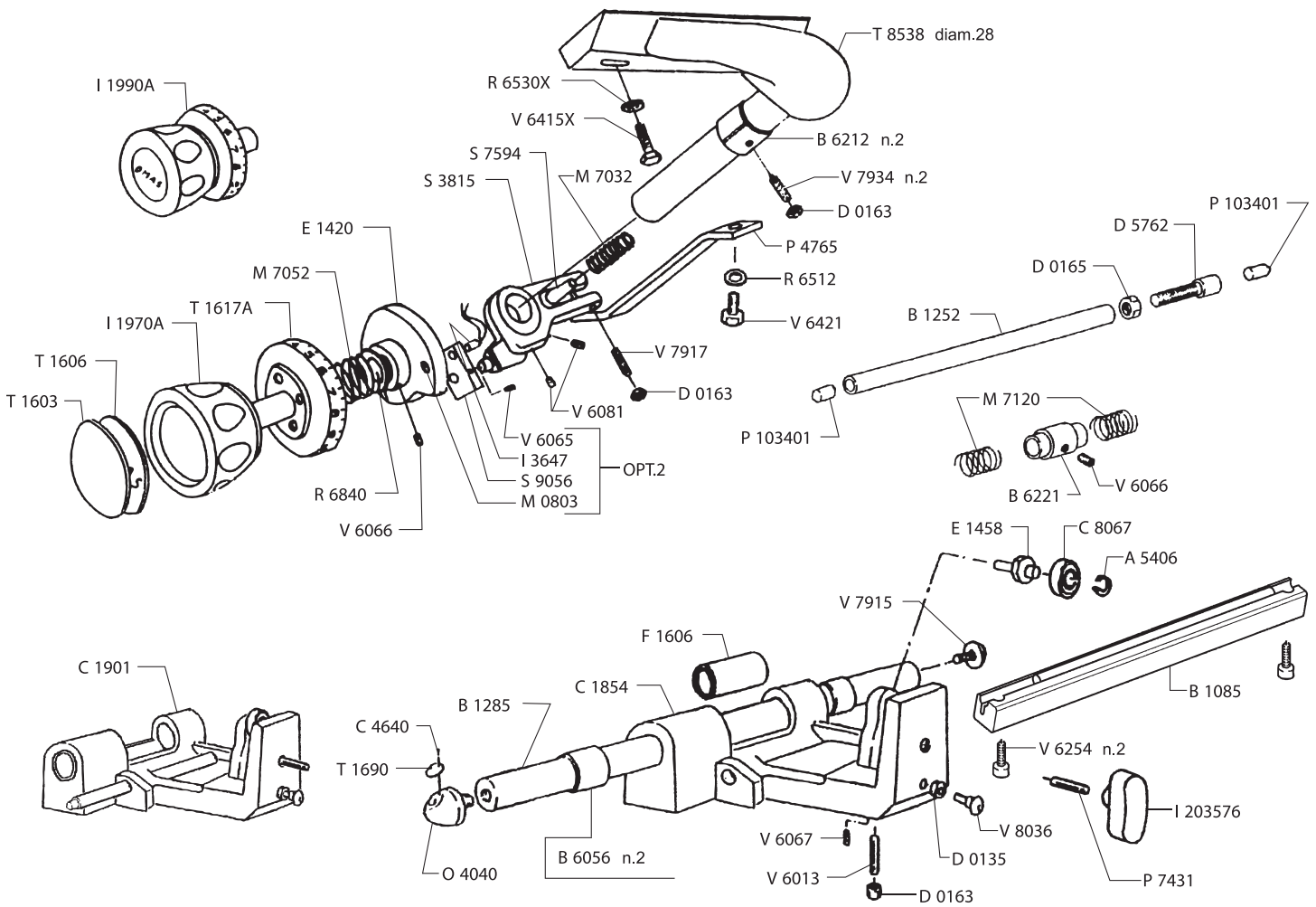


Parts Breakdown

Model MS-IT-0300-G 13641

Model MS-IT-0330-G 13642

Model MS-IT-0350-G 13643

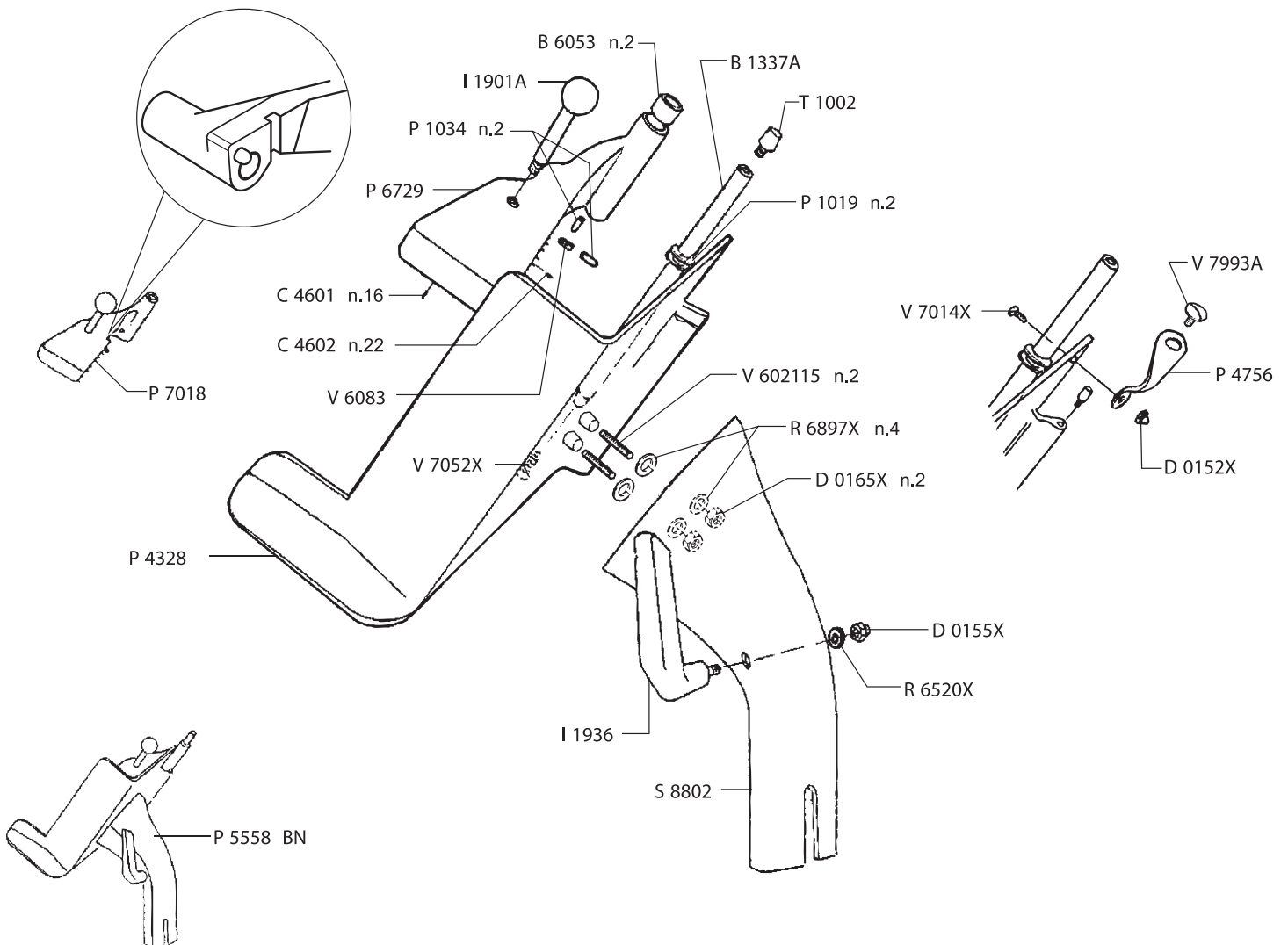


Parts Breakdown

Model MS-IT-0300-G 13641

Model MS-IT-0330-G 13642

Model MS-IT-0350-G 13643

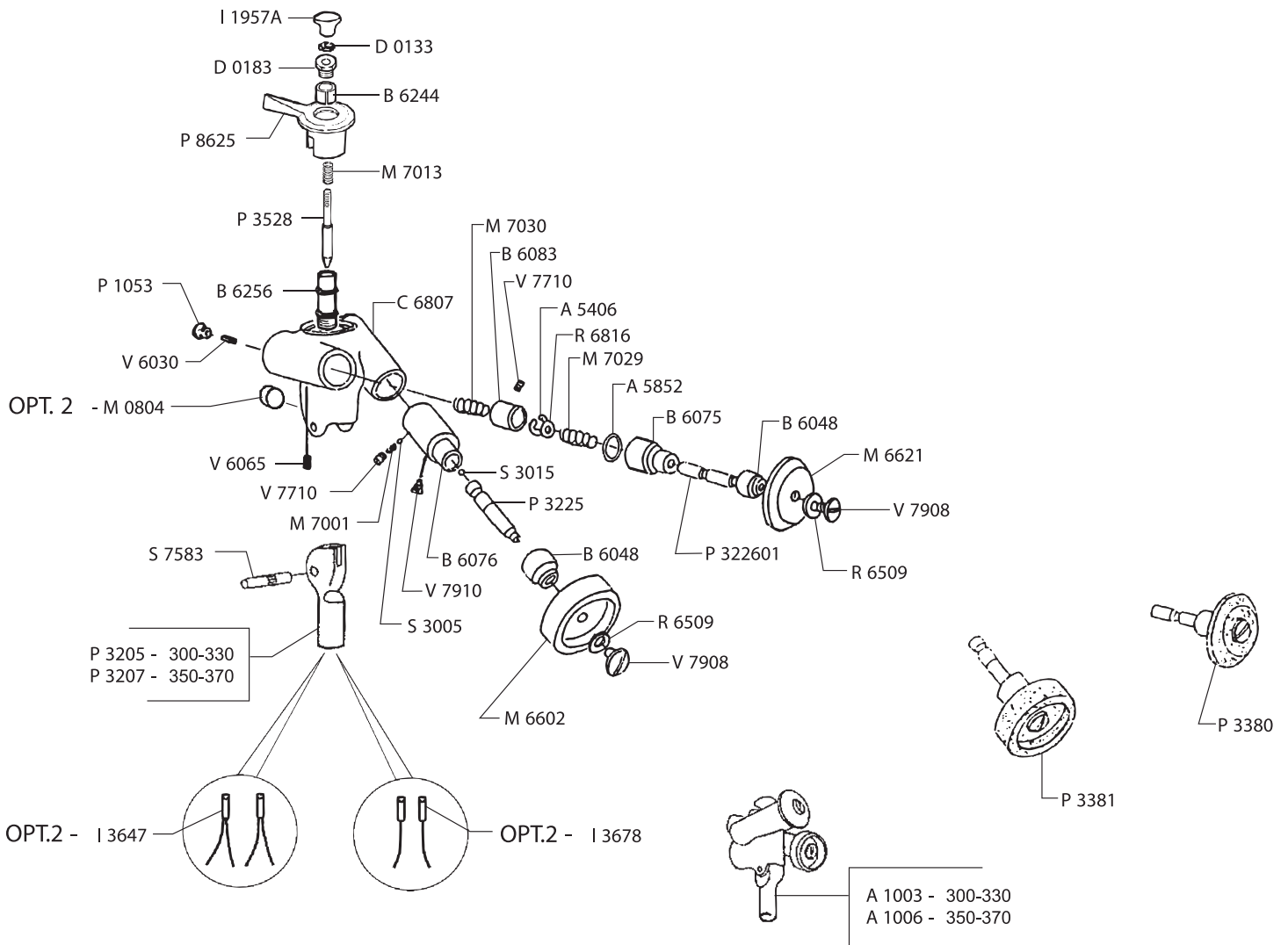


Parts Breakdown

Model MS-IT-0300-G 13641

Model MS-IT-0330-G 13642

Model MS-IT-0350-G 13643

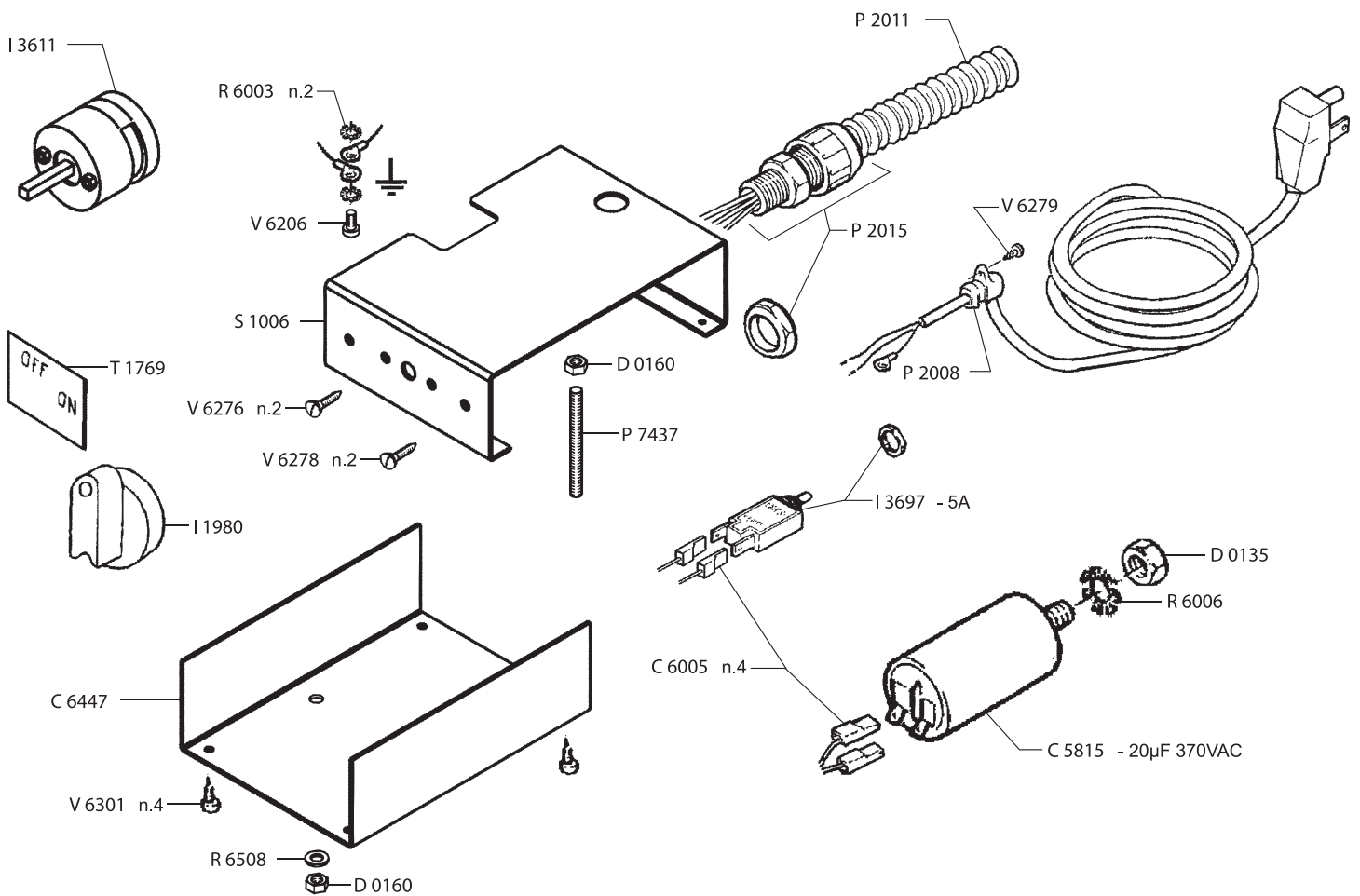


Parts Breakdown

Model MS-IT-0300-G 13641

Model MS-IT-0330-G 13642

Model MS-IT-0350-G 13643

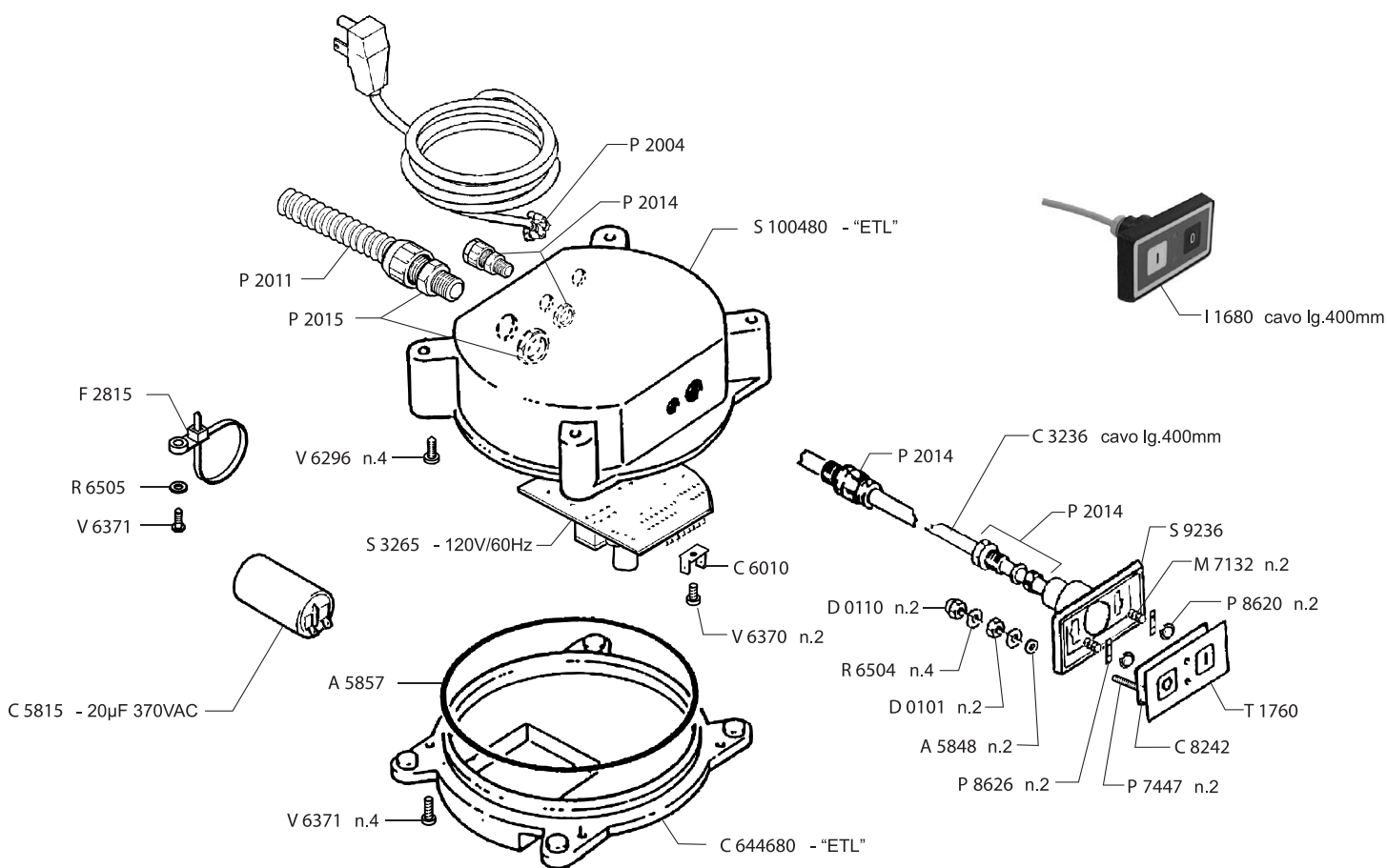


Parts Breakdown

Model MS-IT-0300-G 13641

Model MS-IT-0330-G 13642

Model MS-IT-0350-G 13643

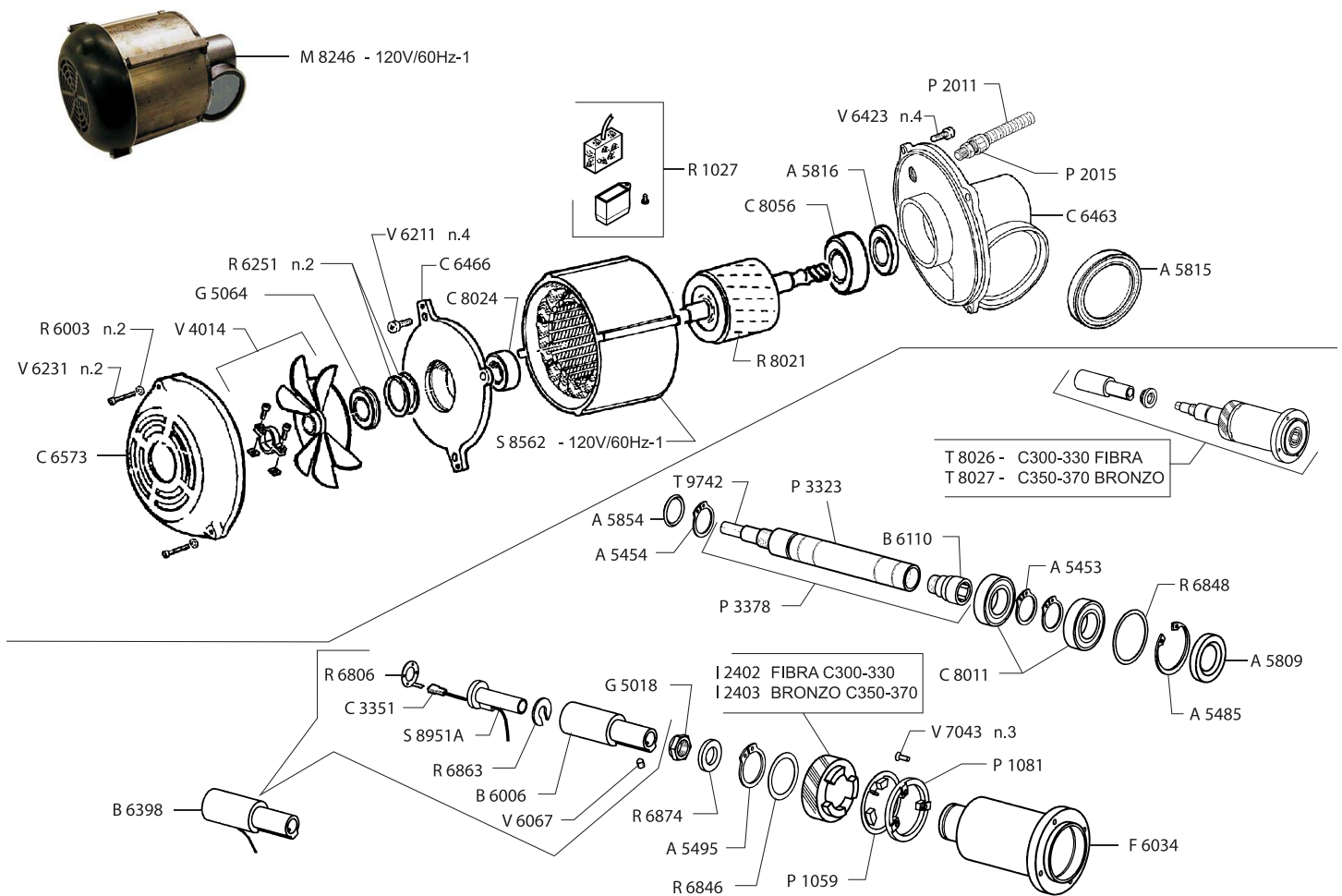


Parts Breakdown

Model MS-IT-0300-G 13641

Model MS-IT-0330-G 13642

Model MS-IT-0350-G 13643

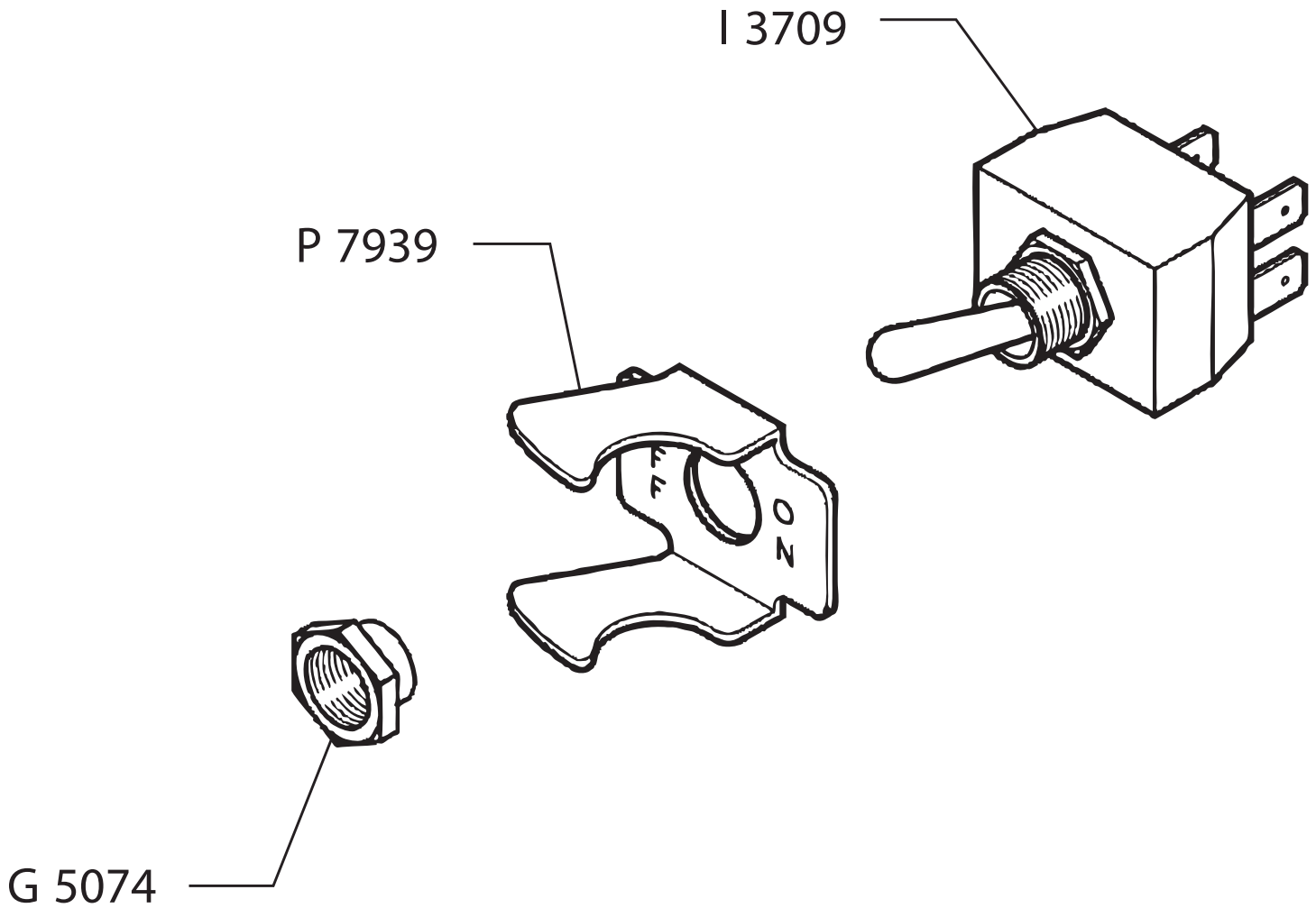


Parts Breakdown

Model MS-IT-0300-G 13641

Model MS-IT-0330-G 13642

Model MS-IT-0350-G 13643



Parts Breakdown

Model MS-IT-0300-G 13641

Item No.	Description	Position	Item No.	Description	Position	Item No.	Description	Position
17272	Sharpening Assy (Support & Stones) for 13641	A1003	36590	AG35-C-H Carriage for 13641	C1854	36651	Sharpener Support Nut for 13641	D0183
16902	Ring EL.Benzing 8 for 13641	A5406	19527	Carriage Ass C for 13641	C1901	36661	Carriage Shock Absorber Spacer for 13641	D5762
17281	Ring EL.Seeger Ext.25 for 13641	A5453	77605	Assy Wiring 6 Poles LG.400 for 13641	C3236	30459	Stop Cam for 13641	E1406
77585	Ring EL.Seeger EST.25 Ser.Heavy for 13641	A5454	65610	Cord 0.5 LG.750 Coverblade Microswitch for 13641	C3351	17342	Cam 15mm for 13641	E1420
19484	Ring 52 for 13641	A5485	17316	Pin 8.5mm for 13641	C4601	17345	Cam Bearing for 13641	E1458
19612	Ring 33 for 13641	A5495	17317	Pin .11 for 13641	C4602	36680	Carriage Felt for 13641	F1606
17283	Oil Seal 25x52x10 for 13641	A5809	36601	Rivet 1.9x5 for 13641	C4640	77614	Nylon Cable Tie (Diam.45x200) for 13641	F2815
17285	Oil Seal 60x75x8 for 13641	A5815	36607	Blade Cover Bolt Keeper 14x14 M for 13641	C5007	17348	Flange Knife C for 13641	F6034
19493	Oil Seal 25x47x07 for 13641	A5816	20458	Capacitor 20uF for 13641	C5815	17351	Locknut for 13641	G5018
77601	Oil Seal OR 2010 for 13641	A5848	Al225	Connector for 13641	C6005	36689	Stainless Steel Locknut M8 for 13641	G5027
17287	O-Ring 123 17.86x2.62 for 13641	A5852	74403	Connector Faston 2 Poles Male for 13641	C6010	36697	Logging Lock Nut GL25 for 13641	G5064
17288	O-Ring 3081 20.24x2.62 for 13641	A5854	77611	P.C.B. Cover Box for 13641	C644680	17352	Touch Pad-Start/Stop Push Button for 13641	I1680
77602	O-Ring OR 4500 for 13641	A5857	Al226	Cover Box for S1006 for 13641	C6447	16930	Handle C for 13641	I1901A
36547	Carriage Rod lg.465 for 13641	B1085	78266	Front Motor Cover for 13641	C6463	17356	Fastener Handle for 13641	I1926
36549	Shock Absorber Rod 12x185 for 13641	B1252	36615	Back Motor Cover for 13641	C6466	16932	Handle Carriage C for 13641	I1936
36552	Carriage Rod for 13641	B1285	36617	Motor Fan Cover for 13641	C6573	19587	Sharpener Knob for 13641	I1957A
19501	Meat Grip Rod A310 & C for 13641	B1337A	19534	Housing Sharpener H for 13641	C6807	36705	Adjustment Knob for 13641	I1970A
78270	Body for 13641	B1807	17334	Bearing 2Z-6205 25x52x15 for 13641	C8011	36707	Switch Handle for 13641	I1980
17298	Bushing Fastener C for 13641	B6006	16925	Bearing 2RS-6204 20x47x14 for 13641	C8024	36708	Assy Index Knob for 13641	I1990A
16904	Bushing Sharpener for 13641	B6048	36631	Bearing 2RS-6205 25x52x15 for 13641	C8056	18220	Knob-Handling for 13641	I203576
16905	Bushing DU 16x18x15 for 13641	B6053	16926	Bearing 2RS-6000 (10x26x8) for 13641	C8067	62453	Nylon Gear for 13641	I2402
17304	Bushing for 13641	B6056	60423	Touch Pad Gasket for 13641	C8242	16938	Switch and Knob for 13641	I3611
17305	Bushing DU 18x20x15 for 13641	B6057	19637	Nut M3 for 13641	D0101	17369	Switch 4x20 for 13641	I3647
16906	Bush Sharpening for 13641	B6075	19638	Nut M4 for 13641	D0102	36723	Switch 4x25 for 13641	I3678
16907	Bush. Sharpening for 13641	B6076	77612	Self-Locking Nut M3 UNI7473 for 13641	D0110	72282	Overload Protector for 13641	I3697
17307	Bushing Sharp. for 13641	B6083	16928	Nut U5589 M6 for 13641	D0133	Al227	Interr.Bipolare A Levetta 16A for 13641	I3709
19630	Bushing Fastener HBC for 13641	B6104B	19639	Nut M8 for 13641	D0135	13593	Blade 300 57x4x254x22 for 13641	L0606
78265	Bushing Funnel for 13641	B6110	36637	Nut U5589 M8 Stainless Steel for 13641	D0135X	36733	Magnet 8x10 for 13641	M0803
18648	Bushing for 13641	B6212	36639	Nut U5721 M5 Stainless Steel for 13641	D0152X	36734	Magnet 12x6 for 13641	M0804
36566	Bushing to Hold Carriage Springs for 13641	B6221	36640	Domed Nut U5721 M6 Stainless Steel for 13641	D0153X	21645	G Stone 51x15x14.3 for 13641	M6602
17313	Bushing DU 14x15x16 for 13641	B6244	19642	Nut M8 for 13641	D0155X	21644	F Stone 51x7x14.3 for 13641	M6621
23646	Sharpener Pivot Ferrule for 13641	B6256	36643	Nut U5588 M5 for 13641	D0160	36741	Spring 2.9x4x12 Stainless Steel for 13641	M7001
41601	Bushing DU 6x8x10 for 13641	B6288	19644	Nut M6 for 13641	D0163	17377	Spring 8.5x1.0x25 Stainless Steel for 13641	M7013
78677	Bushing Fastener Guard Knife C for 13641	B6398	36647	Nut U5588 M8 for 13641	D0165	17379	Spring 11.9x0.7x27 Stainless Steel for 13641	M7029
16909	Sharpener Cover for 13641	C1603	36648	Nut U5588 M8 for 13641	D0165X	17380	Spring 13.4x1.3x30 Stainless Steel for 13641	M7030



Parts Breakdown

Model MS-IT-0300-G 13641

Item No.	Description	Position	Item No.	Description	Position	Item No.	Description	Position
19776	Spring 14x1.5x60 for 13641	M7032	17444	Stud Carriage for 13641	P7431	19870	Stator 120/60 for 13641	S8562
17381	Spring 22.5x1.8x18 for 13641	M7052	AI228	Stud Motor Cover for 13641	P7437	36934	Bracket.Tray C for 13641	S8802
19250	Spring 24.8x1.8x15 for 13641	M7071	60424	Touch Pad Screw for 13641	P7447	19871	Bracket Sharpener for 13641	S8809
19248	Spring 15.6x20x2.2 for 13641	M7120	AI229	Protection Switch Lev.(ETL) for 13641	P7939	78236	Bracket Washer C for 13641	S8951A
78283	Screw for 13641	M7132	78282	Lock Washer for 13641	P8620	36952	Magnet Support for 13641	S8991
20263	Motor 120V/60Hz-1 for 13641	M8246	24030	Sharpener Operating Handle for 13641	P8625	60422	Touch Pad Back Casing for 13641	S9236
19791	Oiler Oil Cap with Screw for 13641	O4040	78284	Bracket for 13641	P8626	19878	Rubber Cap for 13641	T1002
17390	Rubber Shock ABS. 16x22x2.5 for 13641	P1019	65640	Oil Receiver for 13641	R1027	19879	Label for 13641	T1603
17392	PL.Shock Absorb.8.5x20 for 13641	P1034	19657	Washer 4 for 13641	R6003	19880	Label for 13641	T1606
36761	Shock Absorber for 13641	P103401	19659	Washer 8 for 13641	R6006	AI231	Label Plate for 13641	T1617A
36762	Rubber Plug for 13641	P1053	17454	Washer for 13641	R6204	19883	Label Oil for 13641	T1690
16955	Shock Absorber for 13641	P1059	78258	Washer 30.5x46.5x0.6 for 13641	R6251	77628	Switch Overlay H-C (CE) for 13641	T1760
17395	Shock Absorber for 13641	P1081	36880	Washer U6592 3 for 13641	R6504	16978	Blade Cover Fastener Assy C for 13641	T5006
17402	Deflector HM-HP for 13641	P1130	17455	Washer U6592 4 for 13641	R6505	19887	Blade Cover Fastener C for 13641	T5036
27888	Ring Deflector for 13641	P1165	17456	Washer U6592 5 for 13641	R6508	16983	Knife Shaft Assy for 13641	T8026
36766	Knife Guard for 13641	P1532	20422	Washer for 13641	R6509	36999	Riding Pin (Diam.28) for 13641	T8538
77616	Strain Relief for 13641	P2004	16967	Washer U65926 for 13641	R6512	79283	Shaft Pin for 13641	T9742
17415	Strain Relief for 13641	P2008	17457	Washer U6592 6 Stainless Steel for 13641	R6512X	37005	Gauge Plate for 13641	V3033
60421	Electrical Conduit for 13641	P2011	36884	Washer U6592 8 Stainless Steel for 13641	R6520X	37013	Motor Fan MEC80 148x16 for 13641	V4014
36778	Wire-Press for 13641	P2014	36885	Washer U6592 10 Stainless Steel for 13641	R6530X	37017	Screw STTC U6113 M4x30 for 13641	V6009
36779	Core-Hitch+Nut for 13641	P2015	17458	Contact Washer for 13641	R6806	17492	Screw STTC U6113 M6x40 for 13641	V6013
19811	Pin Sharpener for 13641	P3205	36889	Washer 10.5x16x1 for 13641	R6816	26127	Stud C Model for 13641	V602115
16959	Pin Grinding for 13641	P3225	16969	Washer 18.2x25x0.5 for 13641	R6840	37021	Screw for 13641	V6030
17419	Pin Truing for 13641	P322601	17460	Washer 34.2x46x0.5 for 13641	R6846	37023	Screw STEI U5929 M5x5 for 13641	V6065
17422	Pin Deflector for 13641	P3269	19674	Washer 44.5x51.5x0.2 for 13641	R6848	19691	Grub Screw M6x6 for 13641	V6066
17423	Pivot Hinged Support O10x22 (Pin Grinding Long) for 13641	P3289	19675	Washer C for 13641	R6863	19692	Screw M6x8 for 13641	V6067
78237	Knife Shaft for 13641	P3323	36892	Washer 17x30x4 for 13641	R6874	23648	Screw for 13641	V6073
23649	Knife Shaft for 13641	P3378	36893	Stainless Steel Special Washer 8.5x24x2 for 13641	R6897X	37030	Screw M12x16 U5927 for 13641	V6081
17426	Assy Honing Stone Pivot for 13641	P3380	78261	Rotor Stator H.50 for 13641	R8021	37031	Screw STEI U5929 M8x16 for 13641	V6083
17427	Assy Grinding Stone & Pin for 13641	P3381	77619	P.C.B. Protection Box for 13641	S100480	37033	Screw TC U6107 M4x8 for 13641	V6206
23645	Sharpener Pivot for 13641	P3528	AI230	Electric Box for 13641	S1006	19697	Screw M5x16 for 13641	V6211
26126	Table for 13641	P4328	19680	Ball 3 17 for 13641	S3005	19699	Screw M4x25 for 13641	V6231
19831	Gauge Plate Flat Bar VS for 13641	P4621	17465	Ball 4.76 for 13641	S3015	19702	Screw M6x25 for 13641	V6246
16960	Support Plate for 13641	P4756	41350	P.C. Board 120V/60 ETL for 13641	S3265	37042	Screw TCEI U5931 M8x25 for 13641	V6254
36830	Flat Bar C for 13641	P4765	36908	Track C-CD for 13641	S3815	37047	Screw TC AUT.D7971 2.9x13 for 13641	V6276
16961	Foot for 13641	P5008	17475	Pin 8x42 for 13641	S7583	19706	Screw for 13641	V6278
78235	End Grip for 13641	P6729	19867	Pin D10 M6 L26 for 13641	S7594	37048	Screw TCTC AUT.D7981 3.5x9.5 for 13641	V6279
17443	End Grip for 13641	P7018	17476	Foot Support Pin D.10 M8 L.37 for 13641	S7595	77629	Screw TBTC AUT.U6954 4.2x13 for 13641	V6296

Parts Breakdown

Model MS-IT-0300-G 13641

Item No.	Description	Position	Item No.	Description	Position	Item No.	Description	Position
37054	Screw TBTC AUT.U6954 2.9x9.5 for 13641	V6301	37078	Stainless Steel Screw TSP U6109 M5x12 for 13641	V7013X	19715	Screw Sharpener for 13641	V7910
37058	Stainless Steel Screw M4x8 for 13641	V6370	17497	Screw TSP U6109 M5x15 Stainless Steel for 13641	V7014X	17504	Bar Screw M6x14 Stainless Steel for 13641	V7915
37059	Stainless Steel Screw M4x14 for 13641	V6371	37080	Stainless Steel Screw M4x40 U6109 for 13641	V702415	19717	Screw M6x50 for 13641	V7917
37061	Screw TE U5739 M8x35 Inox for 13641	V6411X	17498	Screw TSPEI U5933 M4x10 for 13641	V7043	19720	Screw M6 for 13641	V7934
37064	Screw TE U5739 M10x35 for 13641	V6415X	37084	Screw TSPEI U5933 M10x30 Stainless for 13641	V7052X	37095	Screw for Rod 6x13 for 13641	V7993A
37066	Screw TE U5737 M6x15 for 13641	V6421	19713	Screw Sharpener for 13641	V7710	19920	Screw M8x30 for 13641	V8036
37067	Screw TE U5739 M5x20 for 13641	V6423	17503	Screw M5x13 for 13641	V7908			



Parts Breakdown

Model MS-IT-0330-G 13642

Item No.	Description	Position	Item No.	Description	Position	Item No.	Description	Position
17272	Sharpening Assy (Support & Stones) for 13642	A1003	36590	Carriage for 13642	C1854	36651	Sharpener Support Nut for 13642	D0183
16902	Ring EL.Benzing 8 for 13642	A5406	19527	Carriage Ass C for 13642	C1901	36661	Carriage Shock Absorber Spacer for 13642	D5762
17281	Ring EL.Seeger Ext.25 for 13642	A5453	77605	Assy Wiring 6 Poles LG.400 for 13642	C3236	30459	Stop Cam for 13642	E1406
77585	Ring EL.Seeger Est.25 Ser.Heavy for 13642	A5454	65610	Cord 0.5 LG.750 Coverblade Microswitch for 13642	C3351	17342	Cam 15mm for 13642	E1420
19484	Ring 52 for 13642	A5485	17316	Pin 8.5mm for 13642	C4601	17345	Cam Bearing for 13642	E1458
19612	Ring 33 for 13642	A5495	17317	Pin .11 for 13642	C4602	36680	Carriage Felt for 13642	F1606
17283	Oil Seal 25x52x10 for 13642	A5809	36601	Rivet 1.9x5 for 13642	C4640	77614	Nylon Cable Tie (Diam.45x200) for 13642	F2815
17285	Oil Seal 60x75x8 for 13642	A5815	36607	Blade Cover Bolt Keeper 14x14 M for 13642	C5007	17348	Flange Knife C for 13642	F6034
19493	Oil Seal 25x47x07 for 13642	A5816	20458	Capacitor 20uF for 13642	C5815	17351	Locknut for 13642	G5018
77601	Oil Seal OR 2010 for 13642	A5848	Al225	Connector for 13642	C6005	36689	Stainless Steel Locknut M8 for 13642	G5027
17287	O-Ring 123 17.86x2.62 for 13642	A5852	74403	Connector Faston 2 Poles Male for 13642	C6010	36697	Logging Lock Nut for 13642	G5064
17288	O-Ring 3081 20.24x2.62 for 13642	A5854	77611	P.C.B. Cover Box for 13642	C644680	17352	Touch Pad-Start/Stop Push Button for 13642	I1680
77602	O-Ring OR 4500 for 13642	A5857	Al226	Cover Box for S1006 for 13642	C6447	16930	Handle C for 13642	I1901A
36547	Carriage Rod lg.465 for 13642	B1085	78266	Front Motor Cover for 13642	C6463	17356	Fastener Handle for 13642	I1926
36549	Shock Absorber Rod 12x185 for 13642	B1252	36615	Back Motor Cover for 13642	C6466	16932	Handle Carriage C for 13642	I1936
36552	Carriage Rod for 13642	B1285	36617	Motor Fan Cover for 13642	C6573	19587	Sharpener Knob for 13642	I1957A
19501	Meat Grip Rod A310 & C for 13642	B1337A	19534	Housing Sharpener H for 13642	C6807	36705	Adjustment Knob for 13642	I1970A
78270	Body for 13642	B1807	17334	Bearing 2Z-6205 25x52x15 for 13642	C8011	36707	Switch Handle for 13642	I1980
17298	Bushing Fastener C for 13642	B6006	16925	Bearing 2RS-6204 20x47x14 for 13642	C8024	36708	Assy Index Knob for 13642	I1990A
16904	Bushing Sharpener for 13642	B6048	36631	Bearing 2RS-6205 25x52x15 for 13642	C8056	18220	Knob-Handling for 13642	I203576
16905	Bushing DU 16x18x15 for 13642	B6053	16926	Bearing 2RS-6000 (10x26x8) for 13642	C8067	62453	Nylon Gear for 13642	I2402
17304	Bushing for 13642	B6056	60423	Touch Pad Gasket for 13642	C8242	16938	Switch and Knob for 13642	I3611
17305	Bushing DU 18x20x15 for 13642	B6057	19637	Nut M3 for 13642	D0101	17369	Switch 4x20 for 13642	I3647
16906	Bush Sharpening for 13642	B6075	19638	Nut M4 for 13642	D0102	36723	Switch 4x25 for 13642	I3678
16907	Bush. Sharpening for 13642	B6076	77612	Self-Locking Nut M3 UNI7473 for 13642	D0110	72282	Overload Protector for 13642	I3697
17307	Bushing Sharp. for 13642	B6083	16928	Nut U5589 M6 for 13642	D0133	Al227	Interr.Bipolare A Levetta 16A for 13642	I3709
19630	Bushing Fastener HBC for 13642	B6104B	19639	Nut M8 for 13642	D0135	13598	Blade 330 57x4x270 for 13642	L0608
78265	Bushing Funnel for 13642	B6110	36637	Nut U5589 M8 Stainless Steel for 13642	D0135X	36733	Magnet 8x10 for 13642	M0803
18648	Bushing for 13642	B6212	36639	Nut U5721 M5 Stainless Steel for 13642	D0152X	36734	Magnet 12x6 for 13642	M0804
36566	Bushing to Hold Carriage Springs for 13642	B6221	36640	Domed Nut U5721 M6 Stainless Steel for 13642	D0153X	21645	G Stone 51x15x14.3 for 13642	M6602
17313	Bushing DU 14x15x16 for 13642	B6244	19642	Nut M8 for 13642	D0155X	21644	F Stone 51x7x14.3 for 13642	M6621
23646	Sharpener Pivot Ferrule for 13642	B6256	36643	Nut U5588 M5 for 13642	D0160	36741	Spring 2.9x4x12 Stainless Steel for 13642	M7001
41601	Bushing DU 6x8x10 for 13642	B6288	19644	Nut M6 for 13642	D0163	17377	Spring 8.5x1.0x25 Stainless Steel for 13642	M7013
78677	Bushing Fastener Guard Knife C for 13642	B6398	36647	Nut U5588 M8 for 13642	D0165	17379	Spring 11.9x0.7x27 Stainless Steel for 13642	M7029
16909	Sharpener Cover for 13642	C1603	36648	Nut U5588 M8 for 13642	D0165X	17380	Spring 13.4x1.3x30 Stainless Steel for 13642	M7030

Parts Breakdown

Model MS-IT-0330-G 13642

Item No.	Description	Position	Item No.	Description	Position	Item No.	Description	Position
19776	Spring 14x1.5x60 for 13642	M7032	17444	Stud Carriage for 13642	P7431	19870	Stator 120/60 for 13642	S8562
17381	Spring 22 5x1 8x18 for 13642	M7052	AI228	Stud Motor Cover for 13642	P7437	36934	Bracket.Tray C for 13642	S8802
19250	Spring 24.8x1.8x15 for 13642	M7071	60424	Touch Pad Screw for 13642	P7447	19871	Bracket Sharpener for 13642	S8809
19248	Spring 15.6x20x2.2 for 13642	M7120	AI229	Protection Switch Lev.(ETL) for 13642	P7939	78236	Bracket Washer C for 13642	S8951A
78283	Screw for 13642	M7132	78282	Lock Washer for 13642	P8620	36952	Magnet Support for 13642	S8991
20263	Motor 120V/60Hz-1 for 13642	M8246	24030	Sharpener Operating Handle	P8625	60422	Touch Pad Back Casing for 13642	S9236
19791	Oiler Oil Cap with Screw for 13642	O4040	78284	Bracket for 13642	P8626	19878	Rubber Cap for 13642	T1002
17390	Rubber Shock ABS. 16x22x2.5 for 13642	P1019	65640	Oil Receiver for 13642	R1027	19879	Label for 13642	T1603
17392	PL.Shock Absorb.8.5x20 for 13642	P1034	19657	Washer 4 for 13642	R6003	19880	Label for 13642	T1606
36761	Shock Absorber for 13642	P103401	19659	Washer 8 for 13642	R6006	AI231	Label Plate for 13642	T1617A
36762	Rubber Plug for 13642	P1053	17454	Washer for 13642	R6204	19883	Label Oil for 13642	T1690
16955	Shock Absorber for 13642	P1059	78258	Washer 30.5x46.5x0.6 for 13642	R6251	77628	Switch Overlay for 13642	T1760
17395	Shock Absorber for 13642	P1081	36880	Washer U6592 3 for 13642	R6504	16978	Blade Cover Fastener Assy C for 13642	T5006
19805	Deflector for 13642	P1150	17455	Washer U6592 4 for 13642	R6505	19887	Blade Cover Fastener C for 13642	T5036
27888	Ring Deflector for 13642	P1165	17456	Washer U6592 5 for 13642	R6508	16983	Knife Shaft Assy for 13642	T8026
17412	Knife Guard for 13642	P1550	20422	Washer for 13642	R6509	36999	Riding Pin (Diam.28) for 13642	T8538
77616	Strain Relief for 13642	P2004	16967	Washer U65926 for 13642	R6512	79283	Shaft Pin for 13642	T9742
17415	Strain Relief for 13642	P2008	17457	Washer U6592 6 Stainless Steel for 13642	R6512X	78268	Gauge Plate for 13642	V3077
60421	Electrical Conduit for 13642	P2011	36884	Washer U6592 8 Stainless Steel for 13642	R6520X	37013	Motor Fan MEC80 148x16 for 13642	V4014
36778	Wire-Press for 13642	P2014	36885	Washer U6592 10 Stainless Steel for 13642	R6530X	37017	Screw STTC U6113 M4x30 for 13642	V6009
36779	Core-Hitch + Nut for 13642	P2015	17458	Contact Washer for 13642	R6806	17492	Screw STTC U6113 M6x40 for 13642	V6013
19811	Pin Sharpener for 13642	P3205	36889	Washer 10.5x16x1 for 13642	R6816	26127	Stud C Model for 13642	V602115
16959	Pin Grinding for 13642	P3225	16969	Washer 18.2x25x0.5 for 13642	R6840	37021	Screw for 13642	V6030
17419	Pin Truing for 13642	P322601	17460	Washer 34.2x46x0.5 for 13642	R6846	37023	Screw STEI U5929 M5x5 for 13642	V6065
17422	Pin Deflector for 13642	P3269	19674	Washer 44.5x51.5x0.2 for 13642	R6848	19691	Grub Screw M6x6 for 13642	V6066
17423	Pivot Hinged Support O10x22 (Pin Grinding Long) for 13642	P3289	19675	Washer C for 13642	R6863	19692	Screw M6x8 for 13642	V6067
78237	Knife Shaft for 13642	P3323	36892	Washer 17x30x4 for 13642	R6874	23648	Screw for 13642	V6073
23649	Knife Shaft for 13642	P3378	36893	Stainless Steel Special Washer 8.5x24x2 for 13642	R6897X	37030	Screw M12x16 U5927 for 13642	V6081
17426	Assy Honing Stone Pivot for 13642	P3380	78261	Rotor Stator H.50 for 13642	R8021	37031	Screw STEI U5929 M8x16 for 13642	V6083
17427	Assy Grinding Stone & Pin for 13642	P3381	77619	P.C.B. Protection Box for 13642	S100480	37033	Screw TC U6107 M4x8 for 13642	V6206
23645	Sharpener Pivot for 13642	P3528	AI230	Electric Box for 13642	S1006	19697	Screw M5x16 for 13642	V6211
26126	Table for 13642	P4328	19680	Ball 3 17 for 13642	S3005	19699	Screw M4x25 for 13642	V6231
19831	Gauge Plate Flat Bar VS for 13642	P4621	17465	Ball 4.76 for 13642	S3015	19702	Screw M6x25 for 13642	V6246
16960	Support Plate for 13642	P4756	41350	P.C. Board 120V/60 ETL for 13642	S3265	37042	Screw TCEI U5931 M8x25 for 13642	V6254
36830	Flat Bar C for 13642	P4765	36908	Track C-CD for 13642	S3815	37047	Screw TC AUT.D7971 2.9x13 for 13642	V6276
16961	Foot for 13642	P5008	17475	Pin 8x42 for 13642	S7583	19706	Screw for 13642	V6278
78235	End Grip for 13642	P6729	19867	Pin D10 M6 L26 for 13642	S7594	37048	Screw TCTC AUT.D7981 3.5x9.5 for 13642	V6279
17443	End Grip for 13642	P7018	17476	Foot Support Pin D.10 M8 L.37 for 13642	S7595	77629	Screw TBTC AUT.U6954 4.2x13 for 13642	V6296

Parts Breakdown

Model MS-IT-0330-G 13642

Item No.	Description	Position	Item No.	Description	Position	Item No.	Description	Position
37054	Screw TBTC AUT.U6954 2.9x9.5 for 13642	V6301	37078	Stainless Steel Screw TSP U6109 M5x12 for 13642	V7013X	19715	Screw Sharpener for 13642	V7910
37058	Stainless Steel Screw M4x8 for 13642	V6370	17497	Screw TSP U6109 M5x15 Stainless Steel for 13642	V7014X	17504	Bar Screw M6x14 Stainless Steel for 13642	V7915
37059	Stainless Steel Screw M4x14 for 13642	V6371	37080	Stainless Steel Screw M4x40 U6109 for 13642	V702415	19717	Screw M6x50 for 13642	V7917
37061	Screw TE U5739 M8x35 Inox for 13642	V6411X	17498	Screw TSPEI U5933 M4x10 for 13642	V7043	19720	Screw M6 for 13642	V7934
37064	Screw TE U5739 M10x35 for 13642	V6415X	37084	Screw TSPEI U5933 M10x30 Stainless for 13642	V7052X	37095	Screw for Rod 6x13 for 13642	V7993A
37066	Screw TE U5737 M6x15 for 13642	V6421	19713	Screw Sharpener for 13642	V7710	19920	Screw M8x30 for 13642	V8036
37067	Screw TE U5739 M5x20 for 13642	V6423	17503	Screw M5x13 for 13642	V7908			

Parts Breakdown

Model MS-IT-0350-G 13643

Item No.	Description	Position	Item No.	Description	Position	Item No.	Description	Position
16899	Sharpening Assy for 13643	A1006	36590	Carriage for 13643	C1854	36651	Sharpener Support Nut for 13643	D0183
16902	Ring EL.Benzing 8 for 13643	A5406	19527	Carriage Ass C for 13643	C1901	36661	Carriage Shock Absorber Spacer for 13643	D5762
17281	Ring EL.Seeger Ext.25 for 13643	A5453	77605	Assy Wiring 6 Poles LG.400 for 13643	C3236	30459	Stop Cam for 13643	E1406
77585	Ring EL.Seeger Est.25 Ser.Heavy for 13643	A5454	65610	Cord 0.5 LG.750 Coverblade Microswitch for 13643	C3351	17342	Cam 15mm for 13643	E1420
19484	Ring 52 for 13643	A5485	17316	Pin 8.5mm for 13643	C4601	17345	Cam Bearing 13655 for 13643	E1458
19612	Ring 33 for 13643	A5495	17317	Pin .11 for 13643	C4602	36680	Carriage Felt for 13643	F1606
17283	Oil Seal 25x52x10 for 13643	A5809	36601	Rivet 1.9x5 for 13643	C4640	77614	Nylon Cable Tie (Diam.45x200) for 13643	F2815
17285	Oil Seal 60x75x8 for 13643	A5815	36607	Blade Cover Bolt Keeper 14x14 M for 13643	C5007	17348	Flange Knife C for 13643	F6034
19493	Oil Seal 25x47x07 for 13643	A5816	20458	Capacitor 20uF for 13643	C5815	17351	Locknut for 13643	G5018
77601	Oil Seal OR 2010 for 13643	A5848	AI225	Connector for 13643	C6005	36689	Stainless Steel Locknut M8 for 13643	G5027
17287	O-Ring 123 17.86x2.62 for 13643	A5852	74403	Connector Faston 2 Poles Male for 13643	C6010	36697	Logging Lock Nut for 13643	G5064
17288	O-Ring 3081 20.24x2.62 for 13643	A5854	77611	P.C.B. Cover Box for 13643	C644680	17352	Touch Pad-Start/Stop Push Button for 13643	I1680
77602	O-Ring OR 4500 for 13643	A5857	AI226	Cover Box for S1006 for 13643	C6447	16930	Handle C for 13643	I1901A
36547	Carriage Rod lg.465 for 13643	B1085	78266	Front Motor Cover for 13643	C6463	17356	Fastener Handle for 13643	I1926
36549	Shock Absorber Rod 12x185 for 13643	B1252	36615	Back Motor Cover for 13643	C6466	16932	Handle Carriage C for 13643	I1936
36552	Carriage Rod for 13643	B1285	36617	Motor Fan Cover for 13643	C6573	19587	Sharpener Knob for 13643	I1957A
19501	Meat Grip Rod for 13643	B1337A	19534	Housing Sharpener H for 13643	C6807	36705	Adjustment Knob for 13643	I1970A
78270	Body for 13643	B1807	17334	Bearing 2Z-6205 25x52x15 for 13643	C8011	36707	Switch Handle for 13643	I1980
17298	Bushing Fastener C for 13643	B6006	16925	Bearing 2RS-6204 20x47x14 for 13643	C8024	36708	Assy Index Knob for 13643	I1990A
16904	Bushing Sharpener for 13643	B6048	36631	Bearing 2RS-6205 25x52x15 for 13643	C8056	18220	Knob-Handling for 13643	I203576
16905	Bushing DU 16x18x15 for 13643	B6053	16926	Bearing 2RS-6000 (10x26x8) for 13643	C8067	62453	Nylon Gear for 13643	I2403
17304	Bushing for 13643	B6056	60423	Touch Pad Gasket for 13643	C8242	16938	Switch and Knob for 13643	I3611
17305	Bushing DU 18x20x15 for 13643	B6057	19637	Nut M3 for 13643	D0101	17369	Switch 4x20 for 13643	I3647
16906	Bush Sharpening for 13643	B6075	19638	Nut M4 for 13643	D0102	36723	Switch 4x25 for 13643	I3678
16907	Bush. Sharpening for 13643	B6076	77612	Self-Locking Nut M3 UNI7473 for 13643	D0110	72282	Overload Protector for 13643	I3697
17307	Bushing Sharp. for 13643	B6083	16928	Nut U5589 M6 for 13643	D0133	AI227	Interr.Bipolare A Levetta 16A for 13643	I3709
19630	Bushing Fastener for 13643	B6104B	19639	Nut M8 for 13643	D0135	13599	Blade 350x57x4x280 for 13643	L0623
78265	Bushing Funnel for 13643	B6110	36637	Nut U5589 M8 Stainless Steel for 13643	D0135X	36733	Magnet 8x10 for 13643	M0803
18648	Bushing for 13643	B6212	36639	Nut U5721 M5 Stainless Steel for 13643	D0152X	36734	Magnet 12x6 for 13643	M0804
36566	Bushing to Hold Carriage Springs for 13643	B6221	36640	Domed Nut U5721 M6 Stainless Steel for 13643	D0153X	21645	G Stone 51x15x14.3 for 13643	M6602
17313	Bushing DU 14x15x16 for 13643	B6244	19642	Nut M8 for 13643	D0155X	21644	F Stone 51x7x14.3 for 13643	M6621
23646	Sharpener Pivot Ferrule for 13643	B6256	36643	Nut U5588 M5 for 13643	D0160	36741	Spring 2.9x4x12 Stainless Steel for 13643	M7001
41601	Bushing DU 6x8x10 for 13643	B6288	19644	Nut M6 for 13643	D0163	17377	Spring 8.5x1.0x25 Stainless Steel for 13643	M7013
78677	Bushing Fastener Guard Knife C for 13643	B6398	36647	Nut U5588 M8 for 13643	D0165	17379	Spring 11.9x0.7x27 Stainless Steel for 13643	M7029
16909	Sharpener Cover for 13643	C1603	36648	Nut U5588 M8 for 13643	D0165X	17380	Spring 13.4x1.3x30 Stainless Steel for 13643	M7030



Parts Breakdown

Model MS-IT-0350-G 13643

Item No.	Description	Position	Item No.	Description	Position	Item No.	Description	Position
19776	Spring 14x1.5x60 for 13643	M7032	17443	End Grip for P4425A & S7702 for 13643	P7018	19867	Pin D10 M6 L26 for 13643	S7594
17381	Spring 22 5x1 8x18 for 13643	M7052	17444	Stud Carriage for 13643	P7431	17476	Foot Support Pin D.10 M8 L.37 for 13643	S7595
19250	Spring 24.8x1.8x15 for 13643	M7071	AI228	Stud Motor Cover for 13643	P7437	19870	Stator 120/60 for 13643	S8562
19248	Spring 15.6x20x2.2 for 13643	M7120	60424	Touch Pad Screw for 13643	P7447	36934	Bracket.Tray C for 13643	S8802
78283	Screw for 13643	M7132	AI229	Protection Switch Lev.(ETL) for 13643	P7939	19871	Bracket Sharpener for 13643	S8809
20263	Motor 120V/60Hz-1 for 13643	M8246	78282	Lock Washer for 13643	P8620	78236	Bracket Washer C for 13643	S8951A
19791	Oiler Oil Cap with Screw for 13643	O4040	24030	Sharpener Operating Handle for 13643	P8625	36952	Magnet Support for 13643	S8991
17390	Rubber Shock ABS. 16x22x2.5 for 13643	P1019	78284	Bracket for 13643	P8626	60422	Touch Pad Back Casing for 13643	S9236
17392	PL.Shock Absorb.8.5x20 for 13643	P1034	65640	Oil Receiver for 13643	R1027	19878	Rubber Cap for 13643	T1002
36761	Shock Absorber for 13643	P103401	19657	Washer 4 for 13643	R6003	19879	Label for 13643	T1603
36762	Rubber Plug for 13643	P1053	19659	Washer 8 for 13643	R6006	19880	Label for 13643	T1606
16955	Shock Absorber for 13643	P1059	17454	Washer for 13643	R6204	AI231	Label Plate for 13643	T1617A
17395	Shock Absorber for 13643	P1081	78258	Washer 30.5x46.5x0.6 for 13643	R6251	19883	Label Oil for 13643	T1690
17404	Deflector for 13643	P1156	36880	Washer U6592 3 for 13643	R6504	77628	Switch Overlay for 13643	T1760
27888	Ring Deflector for 13643	P1165	17455	Washer U6592 4 for 13643	R6505	16978	Blade Cover Fastener Assy C for 13643	T5006
17413	Knife Guard H-L-13643 mm.15 with Blade Cover Bolt Keeper 14x14 for 13643	P1554	17456	Washer U6592 5 for 13643	R6508	19887	Blade Cover Fastener C for 13643	T5036
77616	Strain Relief for 13643	P2004	20422	Washer for 13643	R6509	16983	Knife Shaft Assy for 13643	T8027
17415	Strain Relief for 13643	P2008	16967	Washer U65926 for 13643	R6512	36999	Riding Pin (Diam.28) for 13643	T8538
60421	Electrical Conduit for 13643	P2011	17457	Washer U6592 6 Stainless Steel for 13643	R6512X	79283	Shaft Pin for 13643	T9742
36778	Wire-Press for 13643	P2014	36884	Washer U6592 8 Stainless Steel for 13643	R6520X	37010	Aluminum Gauge-Plate for 13643	V3078
36779	Core-Hitch + Nut for 13643	P2015	36885	Washer U6592 10 Stainless Steel for 13643	R6530X	37013	Motor Fan MEC80 148x16 for 13643	V4014
17416	Pin Sharpener 13643/370 for 13643	P3207	17458	Contact Washer for 13643	R6806	37017	Screw STTC U6113 M4x30 for 13643	V6009
16959	Pin Grinding for 13643	P3225	36889	Washer 10.5x16x1 for 13643	R6816	17492	Screw STTC U6113 M6x40 for 13643	V6013
17419	Pin Truing for 13643	P322601	16969	Washer 18.2x25x0.5 for 13643	R6840	26127	Stud for 13643	V602115
17422	Pin Deflector for 13643	P3269	17460	Washer 34.2x46x0.5 for 13643	R6846	37021	Screw for 13643	V6030
17423	Pivot Hinged Support O10x22 (Pin Grinding Long) for 13643	P3289	19674	Washer 44.5x51.5x0.2 for 13643	R6848	37023	Screw STEI U5929 M5x5 for 13643	V6065
78237	Knife Shaft for 13643	P3323	19675	Washer C for 13643	R6863	19691	Grub Screw M6x6 for 13643	V6066
23649	Knife Shaft Model C for 13643	P3378	36892	Washer 17x30x4 for 13643	R6874	19692	Screw M6x8 for 13643	V6067
17426	Assy Honing Stone Pivot for 13643	P3380	36893	Stainless Steel Special Washer 8.5x24x2 for 13643	R6897X	23648	Screw for 13643	V6073
17427	Assy Grinding Stone & Pin for 13643	P3381	78261	Rotor Stator H.50 for 13643	R8021	37030	Screw M12x16 U5927 for 13643	V6081
23645	Sharpener Pivot for 13643	P3528	77619	P.C.B. Protection Box for 13643	S100480	37031	Screw STEI U5929 M8x16 for 13643	V6083
26126	Table C Model for 13643	P4328	AI230	Electric Box for 13643	S1006	37033	Screw TC U6107 M4x8 for 13643	V6206
19831	Gauge Plate Flat Bar VS for 13643	P4621	19680	Ball 3 17 for 13643	S3005	19697	Screw M5x16 for 13643	V6211
16960	Support Plate for 13643	P4756	17465	Ball 4.76 for 13643	S3015	19699	Screw M4x25 for 13643	V6231
36830	Flat Bar C for 13643	P4765	41350	P.C. Board 120V/60 ETL for 13643	S3265	19702	Screw M6x25 for 13643	V6246
16961	Foot for 13643	P5008	36908	Track C-CD for 13643	S3815	37042	Screw TCEI U5931 M8x25 for 13643	V6254
78235	End Grip for 13643	P6729	17475	Pin 8x42 for 13643	S7583	37047	Screw TC AUT.D7971 2.9x13 for 13643	V6276

Parts Breakdown

Model MS-IT-0350-G 13643

Item No.	Description	Position	Item No.	Description	Position	Item No.	Description	Position
19706	Screw for 13643	V6278	37066	Screw TE U5737 M6x15 for 13643	V6421	17503	Screw M5x13 for 13643	V7908
37048	Screw TCTC AUT.D7981 3.5x9.5 for 13643	V6279	37067	Screw TE U5739 M5x20 for 13643	V6423	19715	Screw Sharpener for 13643	V7910
77629	Screw TBTC AUT.U6954 4.2x13 for 13643	V6296	37078	Stainless Steel Screw TSP U6109 M5x12 for 13643	V7013X	17504	Bar Screw M6x14 Stainless Steel for 13643	V7915
37054	Screw TBTC AUT.U6954 2.9x9.5 for 13643	V6301	17497	Screw TSP U6109 M5x15 Stainless Steel for 13643	V7014X	19717	Screw M6x50 for 13643	V7917
37058	Stainless Steel Screw M4x8 for 13643	V6370	37080	Stainless Steel Screw M4x40 U6109 for 13643	V702415	19720	Screw M6 for 13643	V7934
37059	Stainless Steel Screw M4x14 for 13643	V6371	17498	Screw TSPEI U5933 M4x10 for 13643	V7043	37095	Screw for Rod 6x13 for 13643	V7993A
37061	Screw TE U5739 M8x35 Inox for 13643	V6411X	37084	Screw TSPEI U5933 M10x30 Stainless for 13643	V7052X	19920	Screw M8x30 for 13643	V8036
37064	Screw TE U5739 M10x35 for 13643	V6415X	19713	Screw Sharpener for 13643	V7710			



Warranty Registration

Thank you for purchasing an Omcan product. To register your warranty for this product, complete the information below, tear off the card at the perforation and then send to the address specified below. You can also register online by visiting:

Merci d'avoir acheté un produit Omcan. Pour enregistrer votre garantie pour ce produit, complétez les informations ci-dessous, détachez la carte au niveau de la perforation, puis l'envoyer à l'adresse spécifiée ci-dessous. Vous pouvez également vous inscrire en ligne en visitant:

Gracias por comprar un producto Omcan usted. Para registrar su garantía para este producto, complete la información a continuación, cortar la tarjeta en la perforación y luego enviarlo a la dirección indicada a continuación. También puede registrarse en línea en:

<https://omcan.com/warranty-registration/>

For mailing in Canada

Pour postale au Canada

Por correo en Canadá

OMCAN

PRODUCT WARRANTY REGISTRATION

3115 Pepper Mill Court,

Mississauga, Ontario

Canada, L5L 4X5

For mailing in the US

Pour diffusion aux États-Unis

Por correo en los EE.UU.

OMCAN

PRODUCT WARRANTY REGISTRATION

4450 Witmer Industrial Estates, Unit 4,

Niagara Falls, New York

USA, 14305

or email to: service@omcan.com



Purchaser's Information

Name: _____

Address: _____

City: _____ Province or State: _____ Postal or Zip: _____

Country: _____

Dealer from which Purchased: _____

Dealer City: _____ Dealer Province or State: _____

Invoice: _____

Model Name: _____ Model Number: _____

Machine Description: _____

Date of Purchase (MM/DD/YYYY): _____

Would you like to extend the warranty? Yes No

Company Name: _____

Telephone: _____

Email Address: _____

Type of Company:

Restaurant Bakery Deli

Butcher Supermarket Caterer

Institution (*specify*): _____

Other (*specify*): _____

Serial Number: _____

Date of Installation (MM/DD/YYYY): _____

Thank you for choosing Omcan | Merci d'avoir choisi Omcan | Gracias por elegir Omcan



Since 1951 Omcan has grown to become a leading distributor of equipment and supplies to the North American food service industry. Our success over these many years can be attributed to our commitment to strengthen and develop new and existing relationships with our valued customers and manufacturers. Today with partners in North America, Europe, Asia and South America, we continually work to improve and grow the company. We strive to offer customers exceptional value through our qualified local sales and service representatives who provide convenient access to over 5,000 globally sourced products.

Depuis 1951 Omcan a grandi pour devenir un des “leaders” de la distribution des équipements et matériel pour l’industrie des services alimentaires en Amérique du Nord. Notre succès au cours de ces nombreuses années peut être attribué à notre engagement à renforcer et à développer de nouvelles et existantes relations avec nos clients et les fabricants de valeur. Aujourd’hui avec des partenaires en Amérique du Nord, Europe, Asie et Amérique du Sud, nous travaillons continuellement à améliorer et développer l’entreprise. Nous nous efforçons d’offrir à nos clients une valeur exceptionnelle grâce à nos ventes locales qualifiées et des représentants de service qui offrent un accès facile à plus de 5000 produits provenant du monde entier.

Desde 1951 Omcan ha crecido hasta convertirse en un líder en la distribución de equipos y suministros de alimentos en América del Norte industria de servicios. Nuestro éxito en estos años se puede atribuir a nuestro compromiso de fortalecer y desarrollar nuevas relaciones existentes con nuestros valiosos clientes y fabricantes. Hoy con socios de América del Norte, Europa, Asia y América del Sur, que trabajan continuamente para mejorar y crecer la empresa. Nos esforzamos por ofrecer a nuestros clientes valor excepcional a través de nuestro local de ventas y representantes de los servicios que proporcionan un fácil acceso a más de 5,000 productos con origen a nivel mundial.

